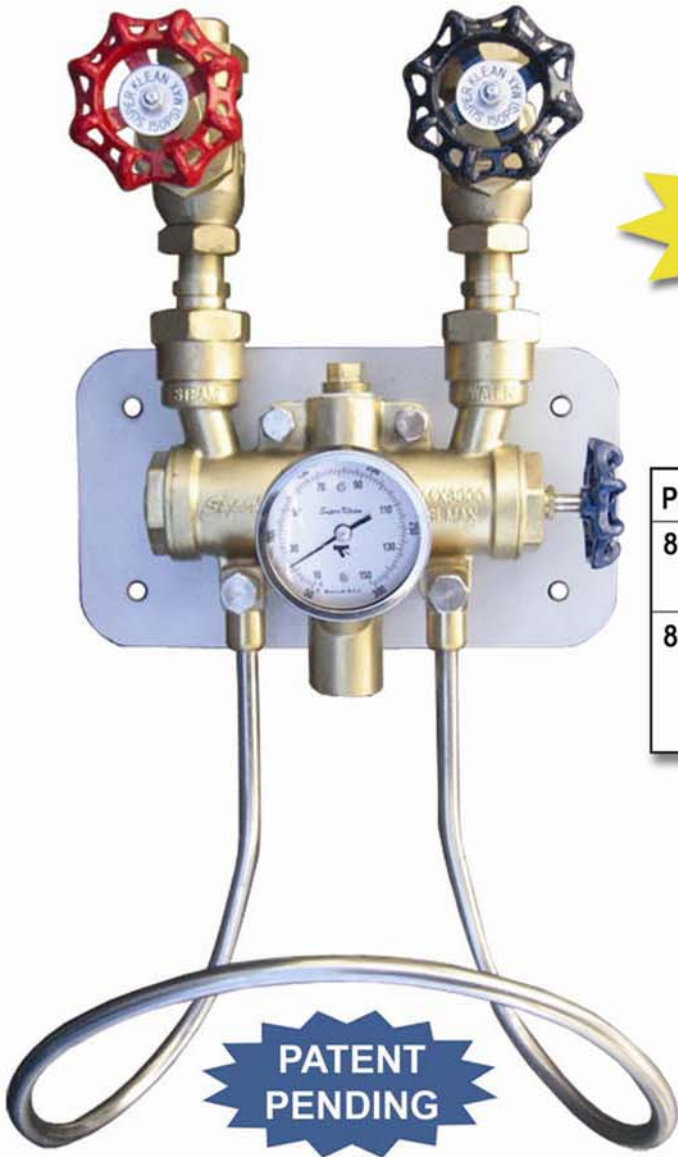


# BRONZE STEAM & COLD WATER MIXING UNIT - DURAMIX 8000GM-B SERIES

SuperKlean is proud to introduce the most innovative steam and cold water mixing unit specifically designed to provide safe and efficient means of clean up by producing hot water instantly with little or no maintenance. The DURAMIX 8000 unit operates under a wide range of steam and water pressures without changing internal components. In fact, it is one of the only steam and cold water mixing units in the industry with the ability to operate with as little as 30 PSI of water pressure. Its dual output design provides the user with the ability to supply two individual terminals with their own hot water supply. Its unique internal design does not allow live steam to penetrate, thus making this unit the safest in the market.



Part #:	Description
8000GM-B	Bronze, steam and cold water wall mounted mixer-hose station
8000GM-B-T	Bronze, steam and cold water wall mounted mixer-hose station with adjustable angle temperature gauge

### Principal Parts & Materials

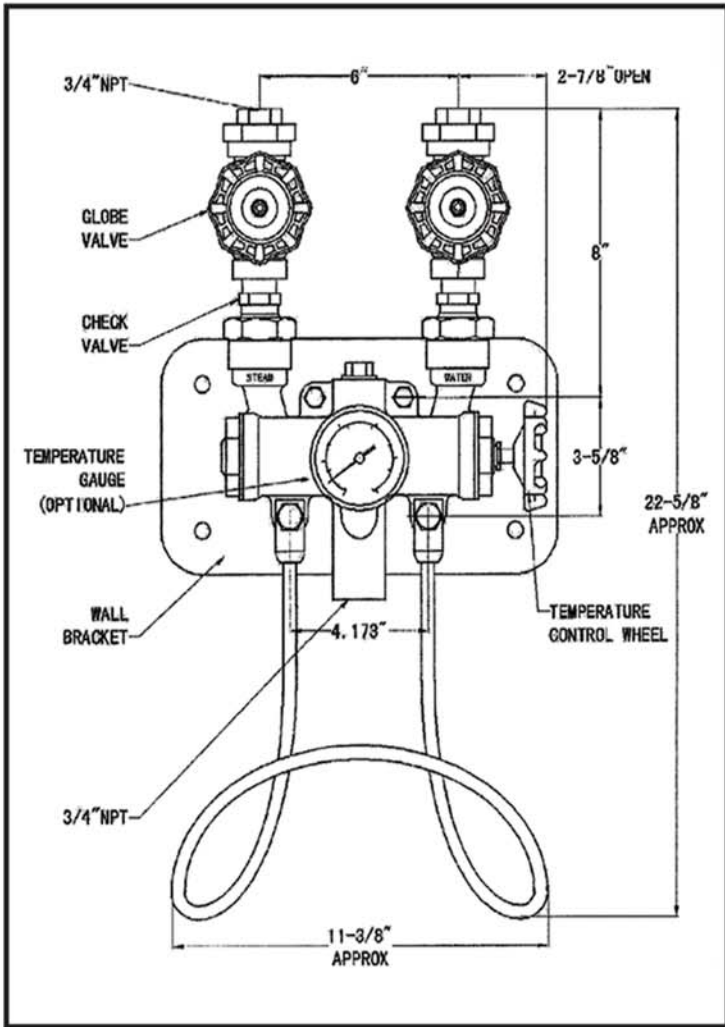
- Inlet / Outlet Diameter: 3/4" NPT
- Mixer Body: Bronze
- Check Valves: Bronze / Stainless Steel
- Hose Rack: 300 Series Stainless Steel
- Temperature Gauge: (optional) Stainless Steel

### Recommended Operative Conditions

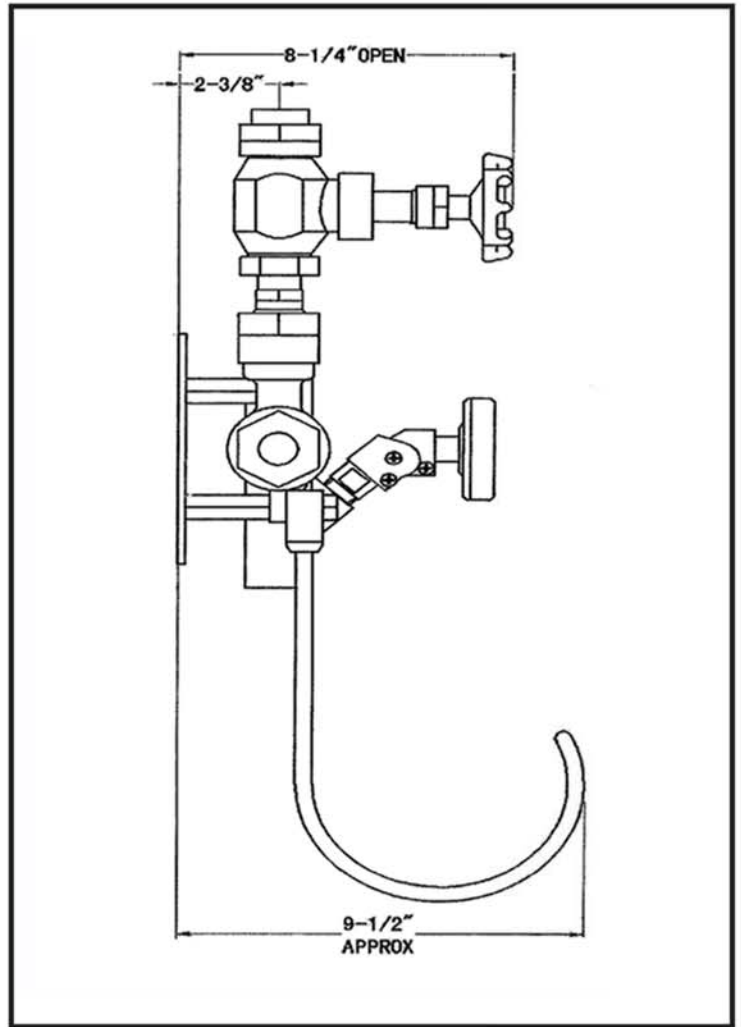
- Working Steam Pressure (Saturated Only): 30-150 PSI
- Working Water Pressure: 30-150 PSI
- Maximum Temperature: 200°F (93°C)
- Maximum Pressure: 150 PSI
- Weight: 20 Lbs.

If steam to water ratio is more than 2:1, please refer to "Operative Instructions" section 4.

## DURAMIX 8000 TECHNICAL DRAWINGS



**FRONT VIEW**



**SIDE VIEW**

## DURAMIX 8000 GPM RATINGS

### Temperature Rise vs. GPM

(for reference only)

INPUT		OUTPUT	
Steam*	Water	Temperature Rise	GPM
100 psig	60 psig	55° F	14.0
100 psig	60 psig	100° F	9.0
100 psig	60 psig	135° F	7.8
* Saturated Steam Only			