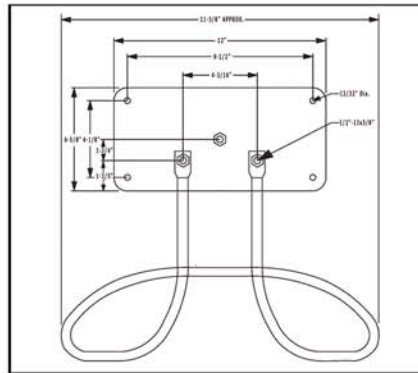


STAINLESS STEEL HOSE RACK

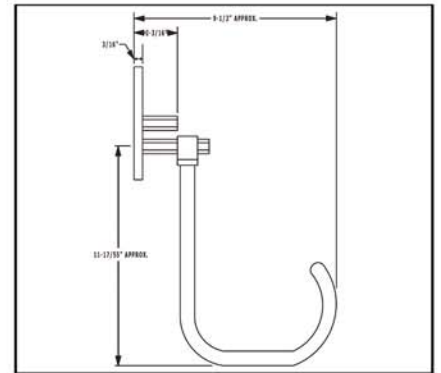
SuperKlean's all stainless steel hose racks, made of 300 series stainless steel, are virtually corrosion resistant in most applications and environments. The stainless steel mounting plate was specifically designed for quick and easy installation and has the required spacing between the unit and the plate for adequate cleaning behind the units. Complete with 4 all stainless steel anchor bolts, our racks are simply the best value for your buck as we provide you with all the necessary hardware.

STAINLESS STEEL HOSE RACK	
Part #:	Description
12-SS	300 series stainless steel hose rack for wall mounting (includes stainless steel mounting plate, stainless steel end fittings, stainless steel bolts and 4 anchor bolts)

TECHNICAL DRAWINGS



FRONT VIEW



SIDE VIEW

HOSE RACKS

SuperKlean's brass and stainless steel hose racks, made out of 321 series stainless steel, are virtually corrosion resistant in most applications and environments. Its aluminum epoxy coated mounting plate was specifically designed for quick and easy installation and meets the required spacing between wall to plate and plate to units.

HOSE RACKS	
Part #:	Description
11	300 series stainless steel hose rack for unit mounting (includes stainless steel bolts & brass end fittings)
11-S	300 series stainless steel hose rack for unit mounting (includes stainless steel bolts & stainless steel end fittings)
12	300 series stainless steel hose rack for wall mounting (includes stainless steel bolts, epoxy coated aluminum plate and brass end fittings)
12-S	300 series stainless steel hose rack for wall mounting (includes stainless steel bolts, epoxy coated aluminum plate and stainless steel end fittings)

