

SuperKlean

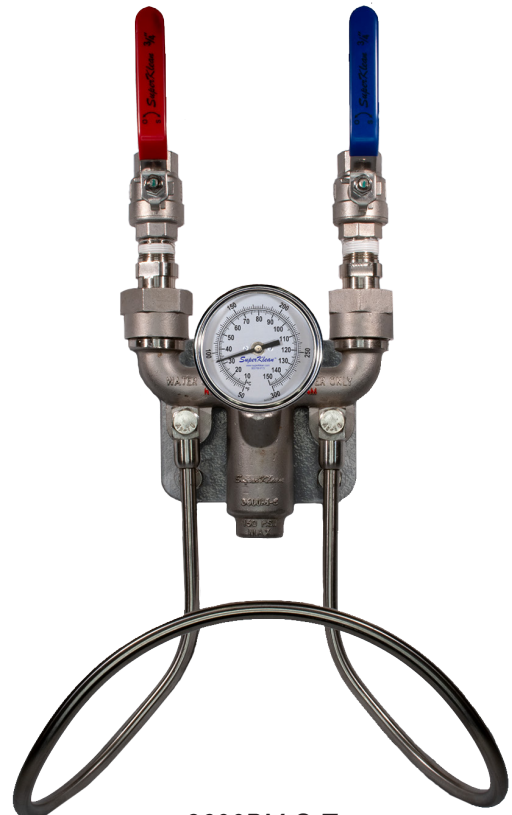
Environmentally Exceptional Washdown Products

3600BM Series Hot & Cold Water Mixing Station (3600BM-B, 3600BM-B-T, 3600BM-S, 3600BM-S-T)

- Ball valves for easier shutoff while maintaining its original characteristics
- Incorporated Y-style body with check valves and ball joint unions for superior flexibility during installation.
- Inlet center lines which have the same dimensions as most of our competitors.
- Includes mounting plate, hose rack, and optional temperature gauge.



3600BM-B-T

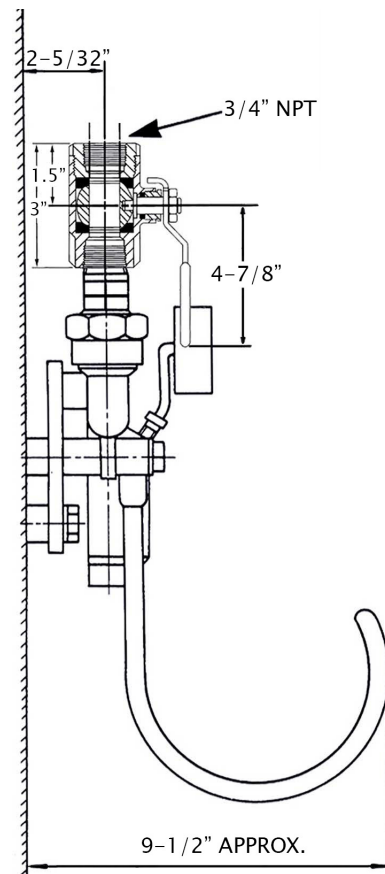
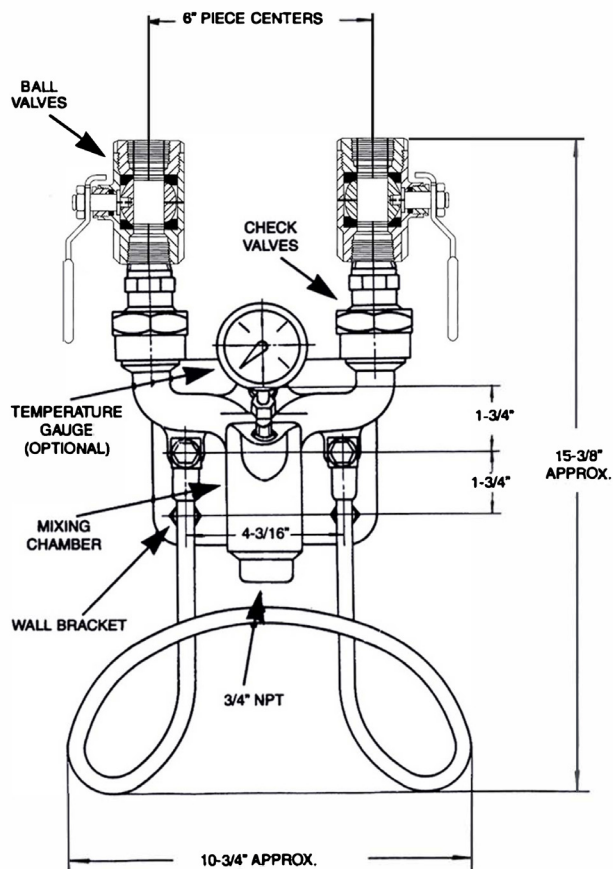


3600BM-S-T

	3600BM-B, 3600BM-B-T	3600BM-S, 3600BM-S-T
Inlet/Outlet Diameter:	3/4" NPT	3/4" NPT
Ball Valves:	Bronze	304 Stainless Steel
Mixer Body:	Brass	304 Stainless Steel
Hose Rack: 304 Stainless Steel	304 Stainless Steel	304 Stainless Steel
Temperature Gauge (Optional):	Stainless Steel	Stainless Steel
Weight:	16 lbs. (7.3 kg)	18 lbs (8.2 kg)
Recommended Operative Conditions		
Maximum Temperature:	200 °F (93 °C)	200 °F (93 °C)
Maximum Pressure:	150 PSI	150 PSI

SuperKlean

Environmentally Exceptional Washdown Products



Part #	Description
GASKET-CN	Connection nut gasket. PTFE
BALL VALVE-BALL SEAT	3/4" ball valve ball seat. Pair. PTFE
BALL VALVE-LEV-BLUE	3/4" Ball valve lever. Stainless steel. Blue
BALL VALVE-LEV-RED	3/4" Ball valve lever. Stainless steel. Red
BALL VALVE-BLUE	3/4" ball valve, bronze (600 PSIG WOG-150 PSIG Saturated Steam)
BALL VALVE-RED	3/4" ball valve, bronze (600 PSIG WOG-150 PSIG Saturated Steam)
BALL VALVE-SS-BLUE	3/4" ball valve, stainless steel. Blue (600 PSIG WOG-150 PSIG Saturated Steam)
BALL VALVE-SS-RED	3/4" ball valve, stainless steel. Red (600 PSIG WOG-150 PSIG Saturated Steam)
BALL VALVE-NUT	3/4" ball valve nut. Stainless Steel
BALL-VALVE PACKING	3/4" ball valve stem packing. PTFE
CV-WATER-B	Check valve for 3600 series unit, brass
CV-WATER-S	Check valve for 3600 series unit, stainless steel